

POLİETİLEN BORU BAĞLANTI PARÇALARI
KÜRESEL VANALAR

KİLİTLİ BAĞLANTI PARÇALARI
SULAMA EK PARÇALARI

VANA KUTULARI

DAMLA SULAMA BORUSU ve
EK PARÇALARI

FİYAT LİSTESİ

05/02/2018



POLİETİLEN BORU BAĞLANTI PARÇALARI



KAPLIN ERKEK

ÜRÜN KODU	Ç. ADEDİ	PALET	EBAT (mm)	FİYAT (₺)
9911001020002	225	50 Çuval	20x1/2"	1,32
9911001020003	225	„	20x3/4"	1,32
9911001025002	175	„	25x1/2"	1,74
9911001025003	175	„	25x3/4"	1,74
9911001025004	175	„	25x1"	1,74
9911001032002	100	55 Çuval	32x1/2"	2,37
9911001032003	100	„	32x3/4"	2,37
9911001032004	100	„	32x1"	2,37
9911001032005	100	„	32x1 1/4"	2,37
9911001040004	60	45 Çuval	40x1"	3,43
9911001040005	60	„	40x1 1/4"	3,43
9911001040006	60	„	40x1 1/2"	3,43
9911001050005	35	„	50x1 1/4"	5,81
9911001050006	35	„	50x1 1/2"	5,81
9911001050007	35	„	50x2"	5,81
9911001063006	18	55 Çuval	63x1 1/2"	8,96
9911001063007	27	„	63x2"	8,96
9911001063008	15	„	63x2 1/2"	8,96
9911001075007	12	„	75x2"	15,72
9911001075008	12	„	75x2 1/2"	15,72
9911001075009	10	„	75x3"	15,72
9911001090007	7	50 Çuval	90x2"	25,77
9911001090008	7	„	90x2 1/2"	25,77
9911001090009	7	„	90x3"	25,77
9911001110010	4	45 Çuval	110x4"	40,12



KAPLIN DIŞI

ÜRÜN KODU	Ç. ADEDİ	PALET	EBAT (mm)	FİYAT (₺)
9911002020002	225	45 Çuval	20x1/2"	1,32
9911002020003	200	„	20x3/4"	1,32
9911002020004	200	„	20x1"	1,32
9911002025002	150	„	25x1/2"	1,74
9911002025003	150	„	25x3/4"	1,74
9911002025004	150	„	25x1"	1,74
9911002032002	100	40 Çuval	32x1/2"	2,37
9911002032003	100	„	32x3/4"	2,37
9911002032004	100	„	32x1"	2,37
9911002040003	50	50 Çuval	40x3/4"	3,43
9911002040004	50	„	40x1"	3,43
9911002040005	50	„	40x1 1/4"	3,43
9911002050004	30	„	50x1"	5,81
9911002050005	30	„	50x1 1/4"	5,81
9911002050006	30	„	50x1 1/2"	5,81
9911002063005	18	40 Çuval	63x1 1/4"	8,96
9911002063006	18	„	63x1 1/2"	8,96
9911002063007	18	„	63x2"	8,96
9911002063008	15	„	63x2 1/2"	8,96
9911002075007	12	55 Çuval	75x2"	15,72
9911002075008	12	„	75x2 1/2"	15,72
9911002090008	7	50 Çuval	90x2 1/2"	25,77
9911002090009	7	„	90x3"	25,77
9911002110009	4	45 Çuval	110x3"	40,12
9911002110010	4	„	110x4"	40,12

KAPLIN MANŞON

ÜRÜN KODU	Ç. ADEDİ	PALET	EBAT (mm)	FİYAT (₺)
9911003020020	125	50 Çuval	20x20	2,27
9911003025025	100	40 Çuval	25x25	2,98
9911003032032	60	„	32x32	3,96
9911003040040	30	45 Çuval	40x40	5,91
9911003050050	20	40 Çuval	50x50	9,28
9911003063063	14	55 Çuval	63x63	12,53
9911003075075	7	„	75x75	26,49
9911003090090	4	50 Çuval	90x90	38,78
9911003110110	3	40 Çuval	110x110	64,51





KAPLİN ERKEK DİRSEK

ÜRÜN KODU	Ç. ADEDİ	PALET	EBAT (mm)	FİYAT (₺)
9911007020002	150	50 Çuval	20x1/2"	1,72
9911007020003	150	,,	20x3/4"	1,72
9911007025002	125	45 Çuval	25x1/2"	2,65
9911007025003	125	,,	25x3/4"	2,65
9911007025004	125	,,	25x1"	2,65
9911007032002	85	,,	32x1/2"	3,75
9911007032003	85	,,	32x3/4"	3,75
9911007032004	85	,,	32x1"	3,75
9911007040004	40	,,	40x1"	6,47
9911007040005	40	,,	40x1 1/4"	6,47
9911007050006	25	50 Çuval	50x1 1/2"	9,45
9911007050007	25	,,	50x2"	9,45
9911007063005	12	45 Çuval	63x1 1/4"	13,19
9911007063006	12	,,	63x1 1/2"	13,19
9911007063007	12	,,	63x2"	13,19
9911007075007	8	,,	75x2"	25,82
9911007075008	8	,,	75x2 1/2"	25,82
9911007075009	8	,,	75x3"	25,82
9911007090008	5	50 Çuval	90x2 1/2"	34,38
9911007090009	5	,,	90x3"	34,38
9911007090010	5	,,	90x4"	34,38



KAPLİN DIŞI DİRSEK

ÜRÜN KODU	Ç. ADEDİ	PALET	EBAT (mm)	FİYAT (₺)
9911006020002	175	50 Çuval	20x1/2"	1,86
9911006020003	175	,,	20x3/4"	1,86
9911006025002	100	,,	25x1/2"	2,83
9911006025003	100	,,	25x3/4"	2,83
9911006025004	100	,,	25x1"	2,83
9911006032002	70	,,	32x1/2"	4,05
9911006032003	70	,,	32x3/4"	4,05
9911006032004	70	,,	32x1"	4,05
9911006040004	40	45 Çuval	40x1"	6,92
9911006040005	40	,,	40x1 1/4"	6,92
9911006050005	20	50 Çuval	50x1 1/4"	10,14
9911006050006	20	,,	50x1 1/2"	10,14
9911006050007	20	,,	50x2"	10,14
9911006063005	12	45 Çuval	63x1 1/4"	14,10
9911006063006	12	,,	63x1 1/2"	14,10
9911006063007	12	,,	63x2"	14,10
9911006075007	8	,,	75x2"	27,62
9911006075008	8	,,	75x2 1/2"	27,62
9911006075009	8	,,	75x3"	27,62
9911006090008	5	50 Çuval	90x2 1/2"	36,79
9911006090009	5	,,	90x3"	36,79
9911006090010	5	,,	90x4"	36,79



KAPLİN DİRSEK

ÜRÜN KODU	Ç. ADEDİ	PALET	EBAT (mm)	FİYAT (₺)
9911005020020	125	40 Çuval	20x20	2,73
9911005025025	80	,,	25x25	3,40
9911005032032	50	50 Çuval	32x32	5,05
9911005040040	25	,,	40x40	7,64
9911005050050	15	,,	50x50	11,98
9911005063063	8	45 Çuval	63x63	16,13
9911005075075	6	40 Çuval	75x75	32,97
9911005090090	4	50 Çuval	90x90	50,16
9911005110110	2	40 Çuval	110x110	77,52



KAPLİN DIŞI TE

ÜRÜN KODU	Ç. ADEDİ	PALET	EBAT (mm)	FİYAT (₺)
9911009020002	100	55 Çuval	20x1/2"x20	3,37
9911009025002	65	50 Çuval	25x1/2"x25	4,58
9911009025003	65	,,	25x3/4"x25	4,58
9911009032002	40	,,	32x1/2"x32	6,20
9911009032003	40	,,	32x3/4"x32	6,20
9911009032004	40	,,	32x1"x32	6,20
9911009040002	25	45 Çuval	40x1/2"x40	9,09
9911009040003	25	,,	40x3/4"x40	9,09
9911009040004	25	,,	40x1"x40	9,09
9911009040005	25	,,	40x1 1/4"x40	9,09
9911009050002	15	40 Çuval	50x1/2"x50	14,36
9911009050003	15	,,	50x3/4"x50	14,36
9911009050004	15	,,	50x1"x50	14,36
9911009050005	15	,,	50x1 1/4"x50	14,36
9911009050006	15	,,	50x1 1/2"x50	14,36
9911009063002	8	,,	63x1/2"x63	20,02
9911009063003	8	,,	63x3/4"x63	20,02
9911009063004	8	,,	63x1"x63	20,02
9911009063005	8	,,	63x1 1/4"x63	20,02
9911009063006	8	,,	63x1 1/2"x63	20,02
9911009063007	8	,,	63x2"x63	20,02
9911009075002	5	45 Çuval	75x1/2"x75	46,40
9911009075003	5	,,	75x3/4"x75	46,40
9911009075004	5	,,	75x1"x75	46,40
9911009075005	5	,,	75x1 1/4"x75	46,40
9911009075006	5	,,	75x1 1/2"x75	46,40
9911009075007	5	,,	75x2"x75	46,40
9911009075008	5	,,	75x2 1/2"x75	46,40
9911009090007	3	55 Çuval	90x2"x90	65,39
9911009090008	3	,,	90x2 1/2"x90	65,39
9911009090009	3	,,	90x3"x90	65,39
9911009110007	2	35 Çuval	110x2"x110	105,57
9911009110008	2	,,	110x2 1/2"x110	105,57
9911009110009	2	,,	110x3"x110	105,57
9911009110010	2	,,	110x4"x110	105,57

KAPLİN ERKEK TE

ÜRÜN KODU	Ç. ADEDİ	PALET	EBAT (mm)	FİYAT (₺)
9911010020002	100	55 Çuval	20x1/2"x20	3,19
9911010020003	100	,,	20x3/4"x20	3,19
9911010025002	70	45 Çuval	25x1/2"x25	4,33
9911010025003	70	,,	25x3/4"x25	4,33
9911010025004	70	,,	25x1"x25	4,33
9911010032003	40	55 Çuval	32x3/4"x32	5,91
9911010032004	40	,,	32x1"x32	5,91
9911010040004	25	45 Çuval	40x1"x40	8,64
9911010040005	25	,,	40x1 1/4"x40	8,64
9911010040006	25	,,	40x1 1/2"x40	8,64
9911010050004	15	,,	50x1"x50	13,69
9911010050005	15	,,	50x1 1/4"x50	13,69
9911010050006	15	,,	50x1 1/2"x50	13,69
9911010050007	15	,,	50x2"x50	13,69
9911010063004	8	50 Çuval	63x1"x63	19,11
9911010063005	8	,,	63x1 1/4"x63	19,11
9911010063006	8	,,	63x1 1/2"x63	19,11
9911010063007	8	,,	63x2"x63	19,11
9911010075007	5	40 Çuval	75x2"x75	46,40
9911010075008	5	,,	75x2 1/2"x75	46,40
9911010075009	5	,,	75x3"x75	46,40
9911010075010	5	,,	75x4"x75	46,40
9911010090007	3	50 Çuval	90x2"x90	65,39
9911010090008	3	,,	90x2 1/2"x90	65,39
9911010090009	3	,,	90x3"x90	65,39
9911010090010	3	,,	90x4"x90	65,39
9911010110008	2	35 Çuval	110x2 1/2"x110	105,57
9911010110009	2	,,	110x3"x110	105,57
9911010110010	2	,,	110x4"x110	105,57



Y.Ü.
Y.Ü.



KAPLIN TE

ÜRÜN KODU	Ç. ADEDİ	PALET	EBAT (mm)	FİYAT (₺)
9911008020020	70	50 Çuval	20x20x20	3,88
9911008025025	50	45 Çuval	25x25x25	4,79
9911008032032	30	„	32x32x32	6,57
9911008040040	20	40 Çuval	40x40x40	10,49
9911008050050	12	„	50x50x50	15,96
9911008063063	8	55 Çuval	63x63x63	22,47
9911008075075	4	„	75x75x75	42,99
9911008090090	2	50 Çuval	90x90x90	62,89
9911008110110	1	56 Çuval	110x110x110	122,47



KAPLIN REDÜKSİYON TE

ÜRÜN KODU	Ç. ADEDİ	PALET	EBAT (mm)	FİYAT (₺)
9911012025020	60	55 Çuval	25x20x25	4,90
9911012025032	40	50 Çuval	25x32x25	4,90
9911012032020	40	„	32x20x32	6,80
9911012032025	40	„	32x25x32	6,80
9911012040020	20	45 Çuval	40x20x40	10,61
9911012040025	20	„	40x25x40	10,61
9911012040032	20	„	40x32x40	10,61
9911012050020	12	„	50x20x50	15,96
9911012050025	12	„	50x25x50	15,96
9911012050032	12	„	50x32x50	15,96
9911012050040	12	„	50x40x50	15,96
9911012063020	8	35 Çuval	63x20x63	23,21
9911012063025	8	„	63x25x63	23,21
9911012063032	8	„	63x32x63	23,21
9911012063040	8	„	63x40x63	23,21
9911012063050	7	„	63x50x63	23,21
9911012075020	4	55 Çuval	75x20x75	44,44
9911012075025	4	„	75x25x75	44,44
9911012075032	4	„	75x32x75	44,44
9911012075040	4	„	75x40x75	44,44
9911012075050	4	„	75x50x75	44,44
9911012075063	4	„	75x63x75	44,44
9911012090050	3	45 Çuval	90x50x90	64,51
9911012090063	3	„	90x63x90	64,51
9911012090075	3	„	90x75x90	64,51
9911012110063	2	35 Çuval	110x63x110	112,07
9911012110075	1	56 Çuval	110x75x110	112,07
9911012110090	1	„	110x90x110	112,07



KAPLIN TAPA

ÜRÜN KODU	Ç. ADEDİ	PALET	EBAT (mm)	FİYAT (₺)
9911004020000	250	50 Çuval	20	1,44
9911004025000	200	,,	25	1,79
9911004032000	125	45 Çuval	32	2,39
9911004040000	65	,,	40	3,58
9911004050000	40	,,	50	5,81
9911004063000	30	50 Çuval	63	8,96
9911004075000	12	55 Çuval	75	17,22
9911004090000	8	50 Çuval	90	22,93
9911004110000	5	45 Çuval	110	39,86

KAPLIN REDÜKSİYON

ÜRÜN KODU	Ç. ADEDİ	PALET	EBAT (mm)	FİYAT (₺)
9911011025020	100	50 Çuval	25x20	3,23
9911011032020	75	40 Çuval	32x20	4,26
9911011032025	75	,,	32x25	4,26
9911011040020	40	45 Çuval	40x20	5,91
9911011040025	40	,,	40x25	5,91
9911011040032	40	,,	40x32	5,91
9911011050020	25	40 Çuval	50x20	9,91
9911011050025	25	,,	50x25	9,91
9911011050032	25	,,	50x32	9,91
9911011050040	25	,,	50x40	9,91
9911011063025	13	45 Çuval	63x25	13,41
9911011063032	13	,,	63x32	13,41
9911011063040	13	,,	63x40	13,41
9911011063050	20	,,	63x50	13,41
Y.Ü. 9911011075032	7	55 Çuval	75x32	25,80
9911011075040	7	,,	75x40	25,80
9911011075050	7	,,	75x50	25,80
9911011075063	7	,,	75x63	25,80
9911011090050	5	50 Çuval	90x50	40,71
9911011090063	5	,,	90x63	40,71
9911011090075	5	,,	90x75	40,71
Y.Ü. 9911011110050	4	45 Çuval	110x50	51,27
9911011110063	4	,,	110x63	51,27
9911011110075	3	,,	110x75	51,27
9911011110090	3	,,	110x90	51,27





KAPLIN ERKEK

ÜRÜN KODU	Ç. ADEDİ	PALET	EBAT (mm)	FİYAT (₺)
9911201020002	225	50 Çuval	20x1/2"	1,47
9911201020003	225	„	20x3/4"	1,47
9911201025002	175	„	25x1/2"	2,16
9911201025003	175	„	25x3/4"	2,16
9911201025004	175	„	25x1"	2,16
9911201032002	100	55 Çuval	32x1/2"	3,09
9911201032003	100	„	32x3/4"	3,09
9911201032004	100	„	32x1"	3,09
9911201032005	100	„	32x1 1/4"	3,09
9911201040004	60	45 Çuval	40x1"	4,58
9911201040005	60	„	40x1 1/4"	4,58
9911201040006	60	„	40x1 1/2"	4,58
9911201050005	35	„	50x1 1/4"	7,35
9911201050006	35	„	50x1 1/2"	7,35
9911201050007	35	„	50x2"	7,35
9911201063006	18	55 Çuval	63x1 1/2"	10,43
9911201063007	27	„	63x2"	10,43
9911201063008	15	„	63x2 1/2"	10,43
9911201075007	12	„	75x2"	20,59
9911201075008	12	„	75x2 1/2"	20,59
9911201075009	10	„	75x3"	20,59
9911201090007	7	50 Çuval	90x2"	30,49
9911201090008	7	„	90x2 1/2"	30,49
9911201090009	7	„	90x3"	30,49
9911201110010	4	45 Çuval	110x4"	47,42



KAPLIN DIŞI

ÜRÜN KODU	Ç. ADEDİ	PALET	EBAT (mm)	FİYAT (₺)
9911202020002	225	45 Çuval	20x1/2"	1,47
9911202020003	200	„	20x3/4"	1,47
9911202020004	200	„	20x1"	1,47
9911202025002	150	„	25x1/2"	2,16
9911202025003	150	„	25x3/4"	2,16
9911202025004	150	„	25x1"	2,16
9911202032002	100	40 Çuval	32x1/2"	3,09
9911202032003	100	„	32x3/4"	3,09
9911202032004	100	„	32x1"	3,09
9911202040003	50	50 Çuval	40x3/4"	4,58
9911202040004	50	„	40x1"	4,58
9911202040005	50	„	40x1 1/4"	4,58
9911202050004	30	„	50x1"	7,35
9911202050005	30	„	50x1 1/4"	7,35
9911202050006	30	„	50x1 1/2"	7,35
9911202063005	18	40 Çuval	63x1 1/4"	10,43
9911202063006	18	„	63x1 1/2"	10,43
9911202063007	18	„	63x2"	10,43
9911202063008	15	„	63x2 1/2"	10,43
9911202075007	12	55 Çuval	75x2"	20,59
9911202075008	12	„	75x2 1/2"	20,59
9911202090008	7	50 Çuval	90x2 1/2"	30,49
9911202090009	7	„	90x3"	30,49
9911202110009	4	45 Çuval	110x3"	47,42
9911202110010	4	„	110x4"	47,42



KAPLIN MANŞON

ÜRÜN KODU	Ç. ADEDİ	PALET	EBAT (mm)	FİYAT (₺)
9911203020020	125	50 Çuval	20x20	2,80
9911203025025	100	40 Çuval	25x25	4,06
9911203032032	60	„	32x32	5,56
9911203040040	30	45 Çuval	40x40	8,26
9911203050050	20	40 Çuval	50x50	12,42
9911203063063	14	55 Çuval	63x63	15,86
9911203075075	7	„	75x75	35,20
9911203090090	4	50 Çuval	90x90	50,82
9911203110110	3	40 Çuval	110x110	80,78



KAPLIN ERKEK DİRSEK

ÜRÜN KODU	Ç. ADEDİ	PALET	EBAT (mm)	FİYAT (₺)
9911207020002	150	50 Çuval	20x1/2"	2,25
9911207020003	150	„	20x3/4"	2,25
9911207025002	125	45 Çuval	25x1/2"	3,19
9911207025003	125	„	25x3/4"	3,19
9911207025004	125	„	25x1"	3,19
9911207032002	85	„	32x1/2"	5,19
9911207032003	85	„	32x3/4"	5,19
9911207032004	85	„	32x1"	5,19
9911207040004	40	„	40x1"	7,78
9911207040005	40	„	40x1 1/4"	7,78
9911207050006	25	50 Çuval	50x1 1/2"	12,81
9911207050007	25	„	50x2"	12,81
9911207063005	12	45 Çuval	63x1 1/4"	16,60
9911207063006	12	„	63x1 1/2"	16,60
9911207063007	12	„	63x2"	16,60
9911207075007	8	„	75x2"	31,26
9911207075008	8	„	75x2 1/2"	31,26
9911207075009	8	„	75x3"	31,26
9911207090008	5	50 Çuval	90x2 1/2"	52,11
9911207090009	5	„	90x3"	52,11
9911207090010	5	„	90x4"	52,11

KAPLIN DIŞI DİRSEK

ÜRÜN KODU	Ç. ADEDİ	PALET	EBAT (mm)	FİYAT (₺)
9911206020002	175	50 Çuval	20x1/2"	2,46
9911206020003	175	„	20x3/4"	2,46
9911206025002	100	„	25x1/2"	3,68
9911206025003	100	„	25x3/4"	3,68
9911206025004	100	„	25x1"	3,68
9911206032002	70	„	32x1/2"	5,68
9911206032003	70	„	32x3/4"	5,68
9911206032004	70	„	32x1"	5,68
9911206040004	40	45 Çuval	40x1"	8,26
9911206040005	40	„	40x1 1/4"	8,26
9911206050005	20	50 Çuval	50x1 1/4"	13,05
9911206050006	20	„	50x1 1/2"	13,05
9911206050007	20	„	50x2"	13,05
9911206063005	12	45 Çuval	63x1 1/4"	17,30
9911206063006	12	„	63x1 1/2"	17,30
9911206063007	12	„	63x2"	17,30
9911206075007	8	„	75x2"	36,48
9911206075008	8	„	75x2 1/2"	36,48
9911206075009	8	„	75x3"	36,48
9911206090008	5	50 Çuval	90x2 1/2"	57,41
9911206090009	5	„	90x3"	57,41
9911206090010	5	„	90x4"	57,41

KAPLIN DİRSEK

ÜRÜN KODU	Ç. ADEDİ	PALET	EBAT (mm)	FİYAT (₺)
9911205020020	125	40 Çuval	20x20	3,04
9911205025025	80	„	25x25	4,24
9911205032032	50	50 Çuval	32x32	6,24
9911205040040	25	„	40x40	9,60
9911205050050	15	„	50x50	15,25
9911205063063	8	45 Çuval	63x63	19,11
9911205075075	6	40 Çuval	75x75	40,80
9911205090090	4	50 Çuval	90x90	59,23
9911205110110	2	40 Çuval	110x110	91,67





KAPLIN DIŞI TE

ÜRÜN KODU	Ç. ADEDİ	PALET	EBAT (mm)	FİYAT (₺)
9911209020002	100	55 Çuval	20x1/2"x20	4,40
9911209025002	65	50 Çuval	25x1/2"x25	6,30
9911209025003	65	„	25x3/4"x25	6,30
9911209032002	40	„	32x1/2"x32	8,88
9911209032003	40	„	32x3/4"x32	8,88
9911209032004	40	„	32x1"x32	8,88
9911209040002	25	45 Çuval	40x1/2"x40	14,03
9911209040003	25	„	40x3/4"x40	14,03
9911209040004	25	„	40x1"x40	14,03
9911209040005	25	„	40x1 1/4"x40	14,03
9911209050002	15	40 Çuval	50x1/2"x50	20,30
9911209050003	15	„	50x3/4"x50	20,30
9911209050004	15	„	50x1"x50	20,30
9911209050005	15	„	50x1 1/4"x50	20,30
9911209050006	15	„	50x1 1/2"x50	20,30
9911209063002	8	„	63x1/2"x63	27,10
9911209063003	8	„	63x3/4"x63	27,10
9911209063004	8	„	63x1"x63	27,10
9911209063005	8	„	63x1 1/4"x63	27,10
9911209063006	8	„	63x1 1/2"x63	27,10
9911209063007	8	„	63x2"x63	27,10
9911209075002	5	45 Çuval	75x1/2"x75	56,03
9911209075003	5	„	75x3/4"x75	56,03
9911209075004	5	„	75x1"x75	56,03
9911209075005	5	„	75x1 1/4"x75	56,03
9911209075006	5	„	75x1 1/2"x75	56,03
9911209075007	5	„	75x2"x75	56,03
9911209075008	5	„	75x2 1/2"x75	56,03
9911209090007	3	55 Çuval	90x2"x90	78,16
9911209090008	3	„	90x2 1/2"x90	78,16
9911209090009	3	„	90x3"x90	78,16
9911209110007	2	35 Çuval	110x2"x110	144,61
9911209110008	2	„	110x2 1/2"x110	144,61
9911209110009	2	„	110x3"x110	144,61
9911209110010	2	„	110x4"x110	144,61



KAPLIN ERKEK TE

ÜRÜN KODU	Ç. ADEDİ	PALET	EBAT (mm)	FİYAT (₺)
9911210020002	100	55 Çuval	20x1/2"x20	3,95
9911210020003	100	„	20x3/4"x20	3,95
9911210025002	70	45 Çuval	25x1/2"x25	5,36
9911210025003	70	„	25x3/4"x25	5,36
9911210025004	70	„	25x1"x25	5,36
9911210032003	40	55 Çuval	32x3/4"x32	8,26
9911210032004	40	„	32x1"x32	8,26
9911210040004	25	45 Çuval	40x1"x40	12,74
9911210040005	25	„	40x1 1/4"x40	12,74
9911210040006	25	„	40x1 1/2"x40	12,74
9911210050004	15	„	50x1"x50	18,76
9911210050005	15	„	50x1 1/4"x50	18,76
9911210050006	15	„	50x1 1/2"x50	18,76
9911210050007	15	„	50x2"x50	18,76
9911210063004	8	50 Çuval	63x1"x63	24,42
9911210063005	8	„	63x1 1/4"x63	24,42
9911210063006	8	„	63x1 1/2"x63	24,42
9911210063007	8	„	63x2"x63	24,42
9911210075007	5	40 Çuval	75x2"x75	57,32
9911210075008	5	„	75x2 1/2"x75	57,32
9911210075009	5	„	75x3"x75	57,32
9911210075010	5	„	75x4"x75	57,32
9911210090007	3	50 Çuval	90x2"x90	78,26
9911210090008	3	„	90x2 1/2"x90	78,26
9911210090009	3	„	90x3"x90	78,26
9911210090010	3	„	90x4"x90	78,26
9911210110008	2	35 Çuval	110x2 1/2"x110	124,38
9911210110009	2	„	110x3"x110	124,38
9911210110010	2	„	110x4"x110	124,38

Y.U.
Y.U.



KAPLİN TE

ÜRÜN KODU	Ç. ADEDİ	PALET	EBAT (mm)	FİYAT (₺)
9911208020020	70	50 Çuval	20x20x20	4,40
9911208025025	50	45 Çuval	25x25x25	6,30
9911208032032	30	„	32x32x32	8,88
9911208040040	20	40 Çuval	40x40x40	14,03
9911208050050	12	„	50x50x50	20,30
9911208063063	8	55 Çuval	63x63x63	27,10
9911208075075	4	„	75x75x75	56,03
9911208090090	2	50 Çuval	90x90x90	78,16
9911208110110	1	56 Çuval	110x110x110	144,61

KAPLİN REDÜKSİYON TE

ÜRÜN KODU	Ç. ADEDİ	PALET	EBAT (mm)	FİYAT (₺)
9911212025020	60	55 Çuval	25x20x25	6,64
9911212025032	40	50 Çuval	25x32x25	6,64
9911212032020	40	„	32x20x32	9,11
9911212032025	40	„	32x25x32	9,11
9911212040020	20	45 Çuval	40x20x40	13,90
9911212040025	20	„	40x25x40	13,90
9911212040032	20	„	40x32x40	13,90
9911212050020	12	„	50x20x50	21,00
9911212050025	12	„	50x25x50	21,00
9911212050032	12	„	50x32x50	21,00
9911212050040	12	„	50x40x50	21,00
9911212063020	8	35 Çuval	63x20x63	26,81
9911212063025	8	„	63x25x63	26,81
9911212063032	8	„	63x32x63	26,81
9911212063040	8	„	63x40x63	26,81
9911212063050	7	„	63x50x63	26,81
9911212075020	4	55 Çuval	75x20x75	54,95
9911212075025	4	„	75x25x75	54,95
9911212075032	4	„	75x32x75	54,95
9911212075040	4	„	75x40x75	54,95
9911212075050	4	„	75x50x75	54,95
9911212075063	4	„	75x63x75	54,95
9911212090050	3	45 Çuval	90x50x90	76,16
9911212090063	3	„	90x63x90	76,16
9911212090075	3	„	90x75x90	76,16
9911212110063	2	35 Çuval	110x63x110	132,34
9911212110075	1	56 Çuval	110x75x110	132,34
9911212110090	1	„	110x90x110	132,34





KAPLIN TAPA

ÜRÜN KODU	Ç. ADEDİ	PALET	EBAT (mm)	FİYAT (₺)
9911204020000	250	50 Çuval	20	1,71
9911204025000	200	,,	25	2,34
9911204032000	125	45 Çuval	32	3,22
9911204040000	65	,,	40	4,58
9911204050000	40	,,	50	7,59
9911204063000	30	50 Çuval	63	10,67
9911204075000	12	55 Çuval	75	21,28
9911204090000	8	50 Çuval	90	29,19
9911204110000	5	45 Çuval	110	46,94



KAPLIN REDÜKSİYON

ÜRÜN KODU	Ç. ADEDİ	PALET	EBAT (mm)	FİYAT (₺)
9911211025020	100	50 Çuval	25x20	3,96
9911211032020	75	40 Çuval	32x20	5,28
9911211032025	75	,,	32x25	5,28
9911211040020	40	45 Çuval	40x20	7,88
9911211040025	40	,,	40x25	7,88
9911211040032	40	,,	40x32	7,88
9911211050020	25	40 Çuval	50x20	13,41
9911211050025	25	,,	50x25	13,41
9911211050032	25	,,	50x32	13,41
9911211050040	25	,,	50x40	13,41
9911211063025	13	45 Çuval	63x25	15,95
9911211063032	13	,,	63x32	15,95
9911211063040	13	,,	63x40	15,95
9911211063050	20	,,	63x50	15,95
Y.Ü. 9911211075032	7	55 Çuval	75x32	31,93
9911211075040	7	,,	75x40	31,93
9911211075050	7	,,	75x50	31,93
9911211075063	7	,,	75x63	31,93
9911211090050	5	50 Çuval	90x50	48,10
9911211090063	5	,,	90x63	48,10
9911211090075	5	,,	90x75	48,10
Y.Ü. 9911211110050	4	45 Çuval	110x50	62,55
9911211110063	4	,,	110x63	62,55
9911211110075	3	,,	110x75	62,55
9911211110090	3	,,	110x90	62,55

PRİZ KOLYE



ÜRÜN KODU	Ç. ADEDİ	PALET	EBAT (mm)	FİYAT (₺)
9911013025002	100	50 Çuval	25x1/2"	2,76
9911013025003	100	,,	25x3/4"	2,76
9911013032002	90	40 Çuval	32x1/2"	2,94
9911013032003	90	,,	32x3/4"	2,94
9911013040002	60	,,	40x1/2"	3,22
9911013040003	60	,,	40x3/4"	3,22
9911013040004	60	,,	40x1"	3,22
9911013050002	40	,,	50x1/2"	5,88
9911013050003	40	,,	50x3/4"	5,88
9911013050004	40	,,	50x1"	5,88
9911013050005	40	,,	50x1 1/4"	6,61
9911013050006	40	,,	50x1 1/2"	6,61
9911013063002	30	,,	63x1/2"	6,41
9911013063003	30	,,	63x3/4"	6,41
9911013063004	30	,,	63x1"	6,41
9911013063005	25	,,	63x1 1/4"	7,18
9911013063006	25	,,	63x1 1/2"	7,18
9911013063007	25	,,	63x2"	7,18
9911013075002	20	,,	75x1/2"	7,43
9911013075003	20	,,	75x3/4"	7,43
9911013075004	20	,,	75x1"	7,43
9911013075005	20	,,	75x1 1/4"	8,41
9911013075006	20	,,	75x1 1/2"	8,41
9911013075007	20	,,	75x2"	8,41
9911013090002	15	50 Çuval	90x1/2"	8,90
9911013090003	15	,,	90x3/4"	8,90
9911013090004	15	,,	90x1"	8,90
9911013090005	15	,,	90x1 1/4"	10,58
9911013090006	15	,,	90x1 1/2"	10,58
9911013090007	15	,,	90x2"	10,58
9911013110002	15	40 Çuval	110x1/2"	11,09
9911013110003	15	,,	110x3/4"	11,09
9911013110004	15	,,	110x1"	11,09
9911013110005	15	,,	110x1 1/4"	11,83
9911013110006	15	,,	110x1 1/2"	11,83
9911013110007	15	,,	110x2"	11,83
9911013125002	10	45 Çuval	125x1/2"	14,39
9911013125003	10	,,	125x3/4"	14,39
9911013125004	10	,,	125x1"	14,39
9911013125005	10	,,	125x1 1/4"	15,19
9911013125006	10	,,	125x1 1/2"	15,19
9911013125007	10	,,	125x2"	15,19
9911013140002	10	40 Çuval	140x1/2"	22,32
9911013140003	10	,,	140x3/4"	22,32
9911013140004	10	,,	140x1"	22,32
9911013140005	10	,,	140x1 1/4"	23,13
9911013140006	10	,,	140x1 1/2"	23,13
9911013140007	10	,,	140x2"	23,13
9911013160002	10	35 Çuval	160x1/2"	27,10
9911013160003	10	,,	160x3/4"	27,10
9911013160004	10	,,	160x1"	27,10
9911013160005	10	,,	160x1 1/4"	27,92
9911013160006	10	,,	160x1 1/2"	27,92
9911013160007	10	,,	160x2"	27,92
9911013160008	10	,,	160x2 1/2"	27,92
9911013160009	10	,,	160x3"	27,92
9911013200002	6	40 Çuval	200x1/2"	39,24
9911013200003	6	,,	200x3/4"	39,24
9911013200004	6	,,	200x1"	39,24
9911013200005	6	,,	200x1 1/4"	39,87
9911013200006	6	,,	200x1 1/2"	39,87
9911013200007	6	,,	200x2"	39,87
9911013200008	6	,,	200x2 1/2"	45,29
9911013200009	6	,,	200x3"	50,23
9911013200010	6	,,	200x4"	54,70

ÜRÜN KODU	Ç. ADEDİ	PALET	EBAT (mm)	FİYAT (₺)
9911013225002	4	35 Çuval	225x1/2"	58,31
9911013225003	4	,,	225x3/4"	58,31
9911013225004	4	,,	225x1"	58,31
9911013225005	4	,,	225x1 1/4"	59,46
9911013225006	4	,,	225x1 1/2"	59,46
9911013225007	4	,,	225x2"	59,46
9911013225008	4	,,	225x2 1/2"	60,63
9911013225009	4	,,	225x3"	64,44
9911013225010	4	,,	225x4"	65,63



ÇİFT ÇIKIŞLI PRİZ KOLYE

ÜRÜN KODU	Ç. ADEDİ	EBAT (mm)	FİYAT (₺)
9911014025002	60	25x1/2"x1/2"	3,04
9911014025003	60	25x3/4"x3/4"	3,04
9911014032002	60	32x1/2"x1/2"	3,23
9911014032003	60	32x3/4"x3/4"	3,23
9911014040002	40	40x1/2"x1/2"	3,54
9911014040003	40	40x3/4"x3/4"	3,54
9911014040004	40	40x1"x1"	3,54
9911014050002	30	50x1/2"x1/2"	6,47
9911014050003	30	50x3/4"x3/4"	6,47
9911014050004	30	50x1"x1"	6,47
9911014050005	30	50x1 1/4"x1 1/4"	7,27
9911014050006	30	50x1 1/2"x1 1/2"	7,27
9911014063002	20	63x1/2"x1/2"	7,06
9911014063003	20	63x3/4"x3/4"	7,06
9911014063004	20	63x1"x1"	7,06
9911014063005	15	63x1 1/4"x1 1/4"	7,90
9911014063006	15	63x1 1/2"x1 1/2"	7,90
9911014063007	15	63x2"x2"	7,90
9911014075002	15	75x1/2"x1/2"	8,18
9911014075003	15	75x3/4"x3/4"	8,18
9911014075004	15	75x1"x1"	8,18
9911014075005	15	75x1 1/4"x1 1/4"	9,25
9911014075006	15	75x1 1/2"x1 1/2"	9,25
9911014075007	15	75x2"x2"	9,25
9911014090002	15	90x1/2"x1/2"	9,80
9911014090003	15	90x3/4"x3/4"	9,80
9911014090004	15	90x1"x1"	9,80
9911014090005	10	90x1 1/4"x1 1/4"	11,65
9911014090006	10	90x1 1/2"x1 1/2"	11,65
9911014090007	10	90x2"x2"	11,65
9911014110002	10	110x1/2"x1/2"	12,19
9911014110003	10	110x3/4"x3/4"	12,19
9911014110004	10	110x1"x1"	12,19
9911014110005	10	110x1 1/4"x1 1/4"	13,02
9911014110006	10	110x1 1/2"x1 1/2"	13,02
9911014110007	10	110x2"x2"	13,02
9911014125002	10	125x1/2"x1/2"	15,83
9911014125003	10	125x3/4"x3/4"	15,83
9911014125004	10	125x1"x1"	15,83
9911014125005	10	125x1 1/4"x1 1/4"	16,72
9911014125006	10	125x1 1/2"x1 1/2"	16,72
9911014125007	10	125x2"x2"	16,72
9911014140002	10	140x1/2"x1/2"	24,54
9911014140003	10	140x3/4"x3/4"	24,54
9911014140004	10	140x1"x1"	24,54
9911014140005	10	140x1 1/4"x1 1/4"	25,44
9911014140006	10	140x1 1/2"x1 1/2"	25,44
9911014140007	10	140x2"x2"	25,44
9911014160002	9	160x1/2"x1/2"	29,82
9911014160003	9	160x3/4"x3/4"	29,82
9911014160004	9	160x1"x1"	29,82
9911014160005	9	160x1 1/4"x1 1/4"	30,70
9911014160006	9	160x1 1/2"x1 1/2"	30,70
9911014160007	9	160x2"x2"	30,70
9911014160008	9	160x2 1/2"x2 1/2"	30,70
9911014160009	9	160x3"x3"	30,70
9911014200002	5	200x1/2"x1/2"	43,16
9911014200003	5	200x3/4"x3/4"	43,16
9911014200004	5	200x1"x1"	43,16
9911014200005	5	200x1 1/4"x1 1/4"	43,86
9911014200006	5	200x1 1/2"x1 1/2"	43,86
9911014200007	5	200x2"x2"	43,86
9911014200008	5	200x2 1/2"x2 1/2"	49,83
9911014200009	5	200x3"x3"	55,26
9911014200010	5	200x4"x4"	60,17

ÜRÜN KODU	Ç. ADEDİ	EBAT (mm)	FİYAT (₺)
9911014225002	3	225x1/2"x1/2"	64,15
9911014225003	3	225x3/4"x3/4"	64,15
9911014225004	3	225x1"x1"	64,15
9911014225005	3	225x1 1/4"x1 1/4"	65,41
9911014225006	3	225x1 1/2"x1 1/2"	65,41
9911014225007	3	225x2"x2"	65,41
9911014225008	3	225x2 1/2"x2 1/2"	66,70
9911014225009	3	225x3"x3"	70,88
9911014225010	3	225x4"x4"	72,20



DIŞİ NİPELLİ PRİZ KOLYE

ÜRÜN KODU	Ç. ADEDİ	PALET	EBAT (mm)	FİYAT (₺)
9911018032002	90	40 Çuval	32x1/2"	10,63
9911018032003	90	„	32x3/4"	11,20
9911018040002	60	„	40x1/2"	11,80
9911018040003	60	„	40x3/4"	12,40
9911018050002	40	„	50x1/2"	15,55
9911018050003	40	„	50x3/4"	16,11
9911018050004	40	„	50x1"	16,72
9911018063002	25	„	63x1/2"	16,53
9911018063003	25	„	63x3/4"	17,15
9911018063004	25	„	63x1"	17,72
9911018075002	20	„	75x1/2"	18,58
9911018075003	20	„	75x3/4"	19,14
9911018075004	20	„	75x1"	19,75
9911018075005	20	„	75x1 1/4"	31,57
9911018075006	20	„	75x1 1/2"	32,38
9911018075007	20	„	75x2"	36,90
9911018090002	15	50 Çuval	90x1/2"	21,67
9911018090003	15	„	90x3/4"	22,29
9911018090004	15	„	90x1"	22,86
9911018090005	15	„	90x1 1/4"	34,85
9911018090006	15	„	90x1 1/2"	38,32
9911018090007	15	„	90x2"	42,83
9911018110002	15	40 Çuval	110x1/2"	24,57
9911018110003	15	„	110x3/4"	25,14
9911018110004	15	„	110x1"	25,73
9911018110005	15	„	110x1 1/4"	41,24
9911018110006	15	„	110x1 1/2"	44,53
9911018110007	15	„	110x2"	47,14
9911018125002	10	45 Çuval	125x1/2"	33,84
9911018125003	10	„	125x3/4"	34,43
9911018125004	10	„	125x1"	35,01
9911018125005	10	„	125x1 1/4"	52,99
9911018125006	10	„	125x1 1/2"	53,79
9911018125007	10	„	125x2"	58,31
9911018140002	10	40 Çuval	140x1/2"	41,86
9911018140003	10	„	140x3/4"	42,46
9911018140004	10	„	140x1"	43,05
9911018160002	10	35 Çuval	160x1/2"	51,21
9911018160003	10	„	160x3/4"	51,83
9911018160004	10	„	160x1"	52,40



ERKEK NİPELLİ PRİZ KOLYE

ÜRÜN KODU	Ç. ADEDİ	PALET	EBAT (mm)	FİYAT (₺)
9911024050004	40	40	50x1"	20,34
9911024063004	25	40	63x1"	20,93
9911024075004	20	40	75x1"	22,97
9911024090004	15	50	90x1"	26,08
9911024011004	15	40	110x1"	28,95



KIZAKLI PRİZ KOLYE

ÜRÜN KODU	Ç. ADEDİ	PALET	EBAT (mm)	FİYAT (₺)
9911015032002	125	40 Çuval	32x ¹ / ₂ "	2,97
9911015032003	125	„	32x ³ / ₄ "	2,97
9911015032004	125	„	32x1"	2,97
9911015040002	70	„	40x ¹ / ₂ "	3,05
9911015040003	70	„	40x ³ / ₄ "	3,05
9911015050002	55	„	50x ¹ / ₂ "	4,47
9911015050003	55	„	50x ³ / ₄ "	4,47
9911015063002	35	„	63x ¹ / ₂ "	5,03
9911015063003	35	„	63x ³ / ₄ "	5,03
9911015063004	35	„	63x1"	5,03
9911015075002	25	45 Çuval	75x ¹ / ₂ "	6,80
9911015075003	25	„	75x ³ / ₄ "	6,80
9911015075004	25	„	75x1"	6,80
9911015090002	20	40 Çuval	90x ¹ / ₂ "	8,67
9911015090003	20	„	90x ³ / ₄ "	8,67
9911015090004	20	„	90x1"	8,67
9911015110002	15	„	110x ¹ / ₂ "	10,09
9911015110003	15	„	110x ³ / ₄ "	10,09
9911015110004	15	„	110x1"	10,09
9911015110005	15	„	110x1 ¹ / ₄ "	10,09
9911015110006	15	„	110x1 ¹ / ₂ "	10,09



NİPELLİ KAPLIN DİŞİ

13

ÜRÜN KODU	Ç. ADEDİ	PALET	EBAT (mm)	FİYAT (₺)
9911019020002	200	45 Çuval	20x ¹ / ₂ "	4,80
9911019025003	150	„	25x ³ / ₄ "	6,55
9911019032003	100	40 Çuval	32x ³ / ₄ "	10,65
9911019032004	100	„	32x1"	11,27
9911019040005	50	50 Çuval	40x1 ¹ / ₄ "	28,11
9911019050006	30	„	50x1 ¹ / ₂ "	32,93
9911019063005	18	40 Çuval	63x1 ¹ / ₄ "	41,38
9911019063006	18	„	63x1 ¹ / ₂ "	47,82
9911019063007	18	„	63x2"	54,82
9911019075008	12	55 Çuval	75x2 ¹ / ₂ "	81,34
9911019090009	7	50 Çuval	90x3"	109,62
9911019110010	4	45 Çuval	110x4"	177,41



NİPELLİ KAPLIN ERKEK

ÜRÜN KODU	Ç. ADEDİ	PALET	EBAT (mm)	FİYAT (₺)
9911017020002	200	50 Çuval	20x ¹ / ₂ "	6,50
9911017025003	150	„	25x ³ / ₄ "	8,90
9911017032003	100	55 Çuval	32x ³ / ₄ "	12,88
9911017032004	100	„	32x1"	13,94
9911017040004	50	45 Çuval	40x1 "	24,79
9911017040005	50	„	40x1 ¹ / ₄ "	33,70
9911017050004	35	„	50x1"	27,22
9911017050005	35	„	50x1 ¹ / ₄ "	34,62
9911017050006	35	„	50x1 ¹ / ₂ "	40,00
9911017063007	18	55 Çuval	63x2"	54,82
9911017075008	12	„	75x2 ¹ / ₂ "	91,35
9911017090009	7	50 Çuval	90x3"	128,49
9911017110010	4	45 Çuval	110x4"	210,25



NİPELLİ KAPLIN DIŞI DİRSEK

ÜRÜN KODU	Ç. ADEDİ	PALET	EBAT (mm)	FİYAT (₺)
9911022025003	100	50 Çuval	25x ³ / ₄ "	7,43
9911022032004	70	„	32x1"	10,70



NİPELLİ KAPLIN ERKEK DİRSEK

ÜRÜN KODU	Ç. ADEDİ	PALET	EBAT (mm)	FİYAT (₺)
9911025020002	150	50	20x ¹ / ₂ "	7,00
9911025025003	125	45	25x ³ / ₄ "	9,42
9911025032004	85	45	32x1"	13,05
9911025040005	40	45	40x1 ¹ / ₄ "	30,03



NİPELLİ KAPLIN DIŞI TE

ÜRÜN KODU	Ç. ADEDİ	PALET	EBAT (mm)	FİYAT (₺)
9911023020002	100	55	20x ¹ / ₂ "x20	7,48
9911023025003	65	50	25x ³ / ₄ "x25	9,65
9911023032004	40	50	32x1"x32	13,40
9911023040005	25	45	40x1 ¹ / ₄ "x40	28,18
9911023050006	15	40	50x1 ¹ / ₂ "x50	33,88
9911023063007	8	40	63x2"x63	54,91



NİPELLİ KAPLIN ERKEK TE

ÜRÜN KODU	Ç. ADEDİ	PALET	EBAT (mm)	FİYAT (₺)
9911026020002	100	55	20x ¹ / ₂ "x20	8,27
9911026025003	70	45	25x ³ / ₄ "x25	10,61
9911026032004	40	55	32x1"x32	15,34
9911026040005	25	45	40x1 ¹ / ₄ "x40	30,76
9911026050006	15	45	50x1 ¹ / ₂ "x50	40,36



KAPLIN GEÇME VANA

ÜRÜN KODU	Ç. ADEDİ	EBAT (mm)	FİYAT (₺)
Y.Ü. 9900902000053	100	20x20	9,84
Y.Ü. 9900902000097	65	25x25	16,00
Y.Ü. 9900902000497	40	32x32	22,88
Y.Ü. 9900902000375	20	40x40	30,00
Y.Ü. 9900902000376	15	50x50	39,70
Y.Ü. 9900902000377	10	63x63	50,32
Y.Ü. 9900902000665	7	75x75	119,55



KÜRESEL VANA

ÜRÜN KODU	Ç. ADEDİ	EBAT (mm)	FİYAT (₺)
Y.Ü. 9900902000518	200	1/2"x1/2"	7,43
Y.Ü. 9900902000519	150	3/4"x3/4"	9,56
Y.Ü. 9900902000512	75	1"x1"	14,62
Y.Ü. 9900902000520	50	1 1/4"x1 1/4"	21,25
Y.Ü. 9900902000506	30	1 1/2"x1 1/2"	26,56
Y.Ü. 9900902000507	20	2"x2"	31,88
Y.Ü. 9900902000666	12	2 1/2"x2 1/2"	76,23



ERKEK DİŞİ VANA

ÜRÜN KODU	Ç. ADEDİ	EBAT (mm)	FİYAT (₺)
Y.Ü. 9900902000649	75	3/4"x3/4"	7,70
Y.Ü. 9900902000623	75	1"x1"	7,70



DİŞİ DİŞİ VANA

ÜRÜN KODU	Ç. ADEDİ	EBAT (mm)	FİYAT (₺)
Y.Ü. 9900902000628	75	3/4"x3/4"	7,70
Y.Ü. 9900902000101	75	1"x1"	7,70



KİLİTLİ BAĞLANTI ERKEK ADAPTÖR

ÜRÜN KODU	ÇUVAL	POŞET	EBAT (mm)	FİYAT (₺)
9944301016002	900	100	16x1/2"	1,284
9944301016003	900	100	16x3/4"	1,284
9944301016004	700	100	16x1"	1,284
9944301020002	900	100	20x1/2"	1,284
9944301020003	900	100	20x3/4"	1,284
9944301020004	700	100	20x1"	1,284
9944301025002	500	50	25x1/2"	1,712
9944301025003	500	50	25x3/4"	1,712
9944301025004	500	50	25x1"	1,712
9944301032003	250	50	32x3/4"	2,993
9944301032004	250	50	32x1"	2,993
9944301032005	200	25	32x1 1/4"	2,993



KİLİTLİ MANŞON

ÜRÜN KODU	ÇUVAL	POŞET	EBAT (mm)	FİYAT (₺)
9944303016016	500	50	16x16	2,031
9944303020020	500	50	20x20	2,031
9944303025025	350	50	25x25	3,237
9944303032032	175	25	32x32	4,511



KİLİTLİ BAĞLANTI ERKEK DİRSEK

ÜRÜN KODU	ÇUVAL	POŞET	EBAT (mm)	FİYAT (₺)
9944307016002	700	100	16x1/2"	1,284
9944307016003	700	100	16x3/4"	1,284
9944307016004	500	50	16x1"	1,284
9944307020002	700	100	20x1/2"	1,284
9944307020003	700	100	20x3/4"	1,284
9944307020004	500	50	20x1"	1,284
9944307025002	350	50	25x1/2"	2,157
9944307025003	350	50	25x3/4"	2,157
9944307025004	350	50	25x1"	2,157
9944307032002	200	25	32x1/2"	3,237
9944307032003	200	25	32x3/4"	3,237
9944307032004	200	25	32x1"	3,237
9944307032005	150	25	32x1 1/4"	3,237



KİLİTLİ BAĞLANTI DİRSEK

ÜRÜN KODU	ÇUVAL	POŞET	EBAT (mm)	FİYAT (₺)
9944305016016	500	50	16x16	2,157
9944305020020	500	50	20x20	2,157
9944305025025	250	25	25x25	2,785
9944305032032	125	25	32x32	4,924



KİLİTLİ BAĞLANTI REDÜKSİYON DİRSEK

ÜRÜN KODU	ÇUVAL	POŞET	EBAT (mm)	FİYAT (₺)
9944306020016	500	50	20x16	2,157
9944306025016	300	25	25x16	2,353
9944306025020	300	25	25x20	2,353
9944306032016	150	25	32x16	4,924
9944306032020	150	25	32x20	4,924
9944306032025	150	25	32x25	4,924



KİLİTLİ BAĞLANTI TE

ÜRÜN KODU	ÇUVAL	POŞET	EBAT (mm)	FİYAT (₺)
9944308016016	300	50	16x16x16	2,890
9944308020020	300	50	20x20x20	2,890
9944308025025	200	25	25x25x25	3,850
9944308032032	100	20	32x32x32	6,628



KİLİTLİ BAĞLANTI ERKEK TE

ÜRÜN KODU	ÇUVAL	POŞET	EBAT (mm)	FİYAT (₺)
9944310016002	400	50	16x1/2"x16	2,157
9944310016003	400	50	16x3/4"x16	2,157
9944310016004	400	50	16x1"x16	2,157
9944310020002	400	50	20x1/2"x20	2,157
9944310020003	400	50	20x3/4"x20	2,157
9944310020004	400	50	20x1"x20	2,157
9944310025002	250	25	25x1/2"x25	3,237
9944310025003	250	25	25x3/4"x25	3,237
9944310025004	250	25	25x1"x25	3,237
9944310032003	100	20	32x3/4"x32	5,355
9944310032004	100	20	32x1"x32	5,355
9944310032005	100	10	32x1 1/4"x32	5,355



KİLİTLİ BAĞLANTI REDÜKSİYON TE

ÜRÜN KODU	ÇUVAL	POŞET	EBAT (mm)	FİYAT (₺)
9944312016020	300	50	16x20x16	2,890
9944312016025	150	25	16x25x16	5,883
9944312016032	125	25	16x32x16	5,883
9944312020016	300	50	20x16x20	2,890
9944312020025	150	25	20x25x20	5,883
9944312020032	125	25	20x32x20	5,883
9944312025016	200	25	25x16x25	3,850
9944312025020	200	25	25x20x25	3,850
9944312032016	100	20	32x16x32	6,628
9944312032020	100	20	32x20x32	6,628
9944312032025	100	20	32x25x32	6,628



KİLİTLİ BAĞLANTI REDÜKSİYON MANŞON

ÜRÜN KODU	ÇUVAL	POŞET	EBAT (mm)	FİYAT (₺)
9944311020016	500	50	20x16	2,031
9944311025016	350	50	25x16	3,237
9944311025020	350	50	25x20	3,237
9944311032016	200	25	32x16	4,511
9944311032020	200	25	32x20	4,511
9944311032025	200	25	32x25	4,511



KİLİTLİ KÖR TAPA

ÜRÜN KODU	ÇUVAL	POŞET	EBAT (mm)	FİYAT (₺)
9944304016000	1200	100	16	1,256
9944304020000	1200	100	20	1,256
9944304025000	500	50	25	1,513
9944304032000	300	50	32	2,589



KİLİTLİ KAPAK

ÜRÜN KODU	EBAT (mm)	FİYAT (₺)
9900371041600	16	0,536
9900371042000	20	0,536
9900371042500	25	0,643
9900371043200	32	1,071



KİLİTLİ BAĞLANTI UCU

ÜRÜN KODU	EBAT (mm)	FİYAT (₺)
9900372011600	16	0,536
9900372012000	20	0,536
9900372012500	25	0,643
9900372013200	32	1,071



KİLİTLİ BAĞLANTI ELEKLİ TE FİLTRE

ÜRÜN KODU	ÇUVAL	POŞET	EBAT (mm)	FİYAT (₺)
9944314016004	80	2	16x1"x16	14,707
9944314020004	80	2	20x1"x20	14,707
9944314025004	80	2	25x1"x25	14,707
9944314032004	60	1	32x1"x32	14,707



KİLİTLİ BAĞLANTI ELEKLİ DİRSEK FİLTRE

ÜRÜN KODU	ÇUVAL	POŞET	EBAT (mm)	FİYAT (₺)
9944313016004	100	2	16x1"	13,727
9944313020004	100	2	20x1"	13,727
9944313025004	100	2	25x1"	13,727
9944313032004	90	2	32x1"	13,727



FİLTRE İÇ TAKIM

ÜRÜN KODU	ÇUVAL	EBAT (mm)	FİYAT (₺)
9944517000000	400	Elek	5,393



DIŞ DIŞLİ NİPEL

ÜRÜN KODU	ÇUVAL	POŞET	EBAT	FİYAT (₺) ADET
9944401002002	3000	100	1/2"x1/2"	0,589
9944401003003	1500	100	3/4"x3/4"	0,784
9944401004004	900	100	1"x1"	0,924
9944401005005	400	50	1 1/4"x1 1/4"	1,373
9944401006006	300	50	1 1/2"x1 1/2"	1,669
9944401007007	200	25	2"x2"	2,061
9944401008008	100	10	2 1/2"x2 1/2"	3,923
9944401009009	84	12	3"x3"	4,901
9944401010010	45	-	4"x4"	9,807

DIŞ DIŞLİ REDÜKSİYON NİPEL

ÜRÜN KODU	ÇUVAL	POŞET	EBAT	FİYAT (₺) ADET
9944411003002	1500	100	3/4"x1/2"	0,609
9944411004002	1000	100	1"x1/2"	0,883
9944411004003	1000	100	1"x3/4"	0,883
9944411005003	600	100	1 1/4"x3/4"	1,294
9944411005004	600	100	1 1/4"x1"	1,294

DIŞ DIŞLİ DİRSEK

ÜRÜN KODU	ÇUVAL	POŞET	EBAT	FİYAT (₺) ADET
9944405003003	1200	100	3/4"x3/4"	1,071
9944405004004	500	50	1"x1"	1,179
9944405005005	300	25	1 1/4"x1 1/4"	1,712

DIŞ DIŞLİ REDÜKSİYON DİRSEK

ÜRÜN KODU	ÇUVAL	POŞET	EBAT	FİYAT (₺) ADET
9944407003002	1200	100	3/4"x1/2"	1,071
9944407004002	500	100	1"x1/2"	1,179
9944407004003	500	100	1"x3/4"	1,179
9944407005002	400	50	1 1/4"x1/2"	1,712
9944407005003	400	50	1 1/4"x3/4"	1,712
9944407005004	400	50	1 1/4"x1"	1,712

DIŞ DIŞLİ TE

ÜRÜN KODU	ÇUVAL	POŞET	EBAT	FİYAT (₺) ADET
9944408003003	800	100	3/4"x3/4"x3/4"	1,284
9944408004004	500	50	1"x1"x1"	1,712
9944408005005	200	25	1 1/4"x1 1/4"x1 1/4"	2,139

DIŞ DIŞLİ REDÜKSİYON TE

ÜRÜN KODU	ÇUVAL	POŞET	EBAT	FİYAT (₺) ADET
9944412003002	800	100	3/4"x1/2"x3/4"	1,284
9944412003004	700	100	3/4"x1"x3/4"	1,553
9944412003005	300	50	3/4"x1 1/4"x3/4"	1,553
9944412004002	500	50	1"x1/2"x1"	1,712
9944412004003	500	50	1"x3/4"x1"	1,712
9944412005003	200	25	1 1/4"x3/4"x1 1/4"	2,139
9944412005004	200	25	1 1/4"x1"x1 1/4"	2,139

ERKEK DIŞLİ KÖR TAPA

ÜRÜN KODU	ÇUVAL	POŞET	EBAT	FİYAT (₺) ADET
9944404003000	2500	100	3/4"	0,335
9944404004000	1000	100	1"	0,655
9944404005000	700	50	1 1/4"	1,079



16'LİK VİDALI ÇOKLU DAĞITICI

ÜRÜN KODU	ÇUVAL	EBAT	FİYAT (₺)
9944527017200	300	2 Lİ	1,712
9944527017300	250	3 LÜ	1,926
9944527017400	200	4 LÜ	2,996
9944527017401	200	X 4 LÜ	2,996
9944527017600	125	6 Lİ	3,212

17'LİK YASSI BORU ÇOKLU DAĞITICI

ÜRÜN KODU	ÇUVAL	EBAT	FİYAT (₺)
9944527017200	300	2 Lİ	1,712
9944527017300	250	3 LÜ	1,926
9944527017400	200	4 LÜ	2,996
9944527017401	200	x 4 LÜ	2,996
9944527017600	125	6 Lİ	3,212

UZATMA BORUSU

ÜRÜN KODU	ÇUVAL	EBAT	FİYAT (₺)
9944526025029	175	3/4"x29 cm	1,607
9944526025048	100	3/4"x48 cm	3,216
9944526032029	175	1"x29 cm	1,607
9944526032048	100	1"x48 cm	3,216

20



VANALI KUTU

Senkron
TSE

ÜRÜN KODU	EBAT	FİYAT (₺)
9944605000000	3/4"	48,300

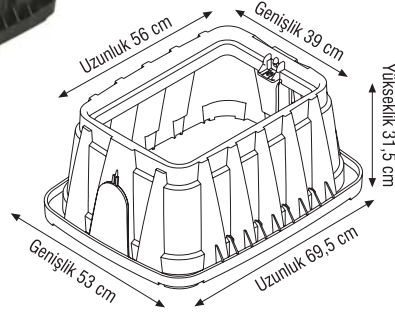
CANSUYU MUSLUĞU GÖVDE

ÜRÜN KODU	ÇUVAL	EBAT	FİYAT (₺)
9944607000003	125	3/4"	16,170
9944607000004	125	1"	16,170

CANSUYU MUSLUĞU ANAHTARI

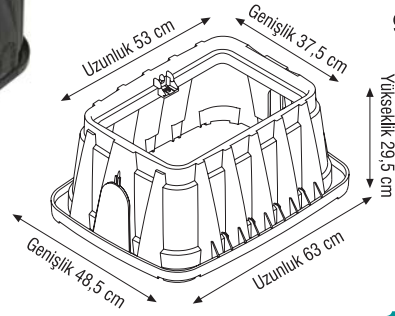
ÜRÜN KODU	ÇUVAL	EBAT	FİYAT (₺)
9944608000000	300	Anahtarı	5,870

16" MAXI JUMBO VANA KUTUSU

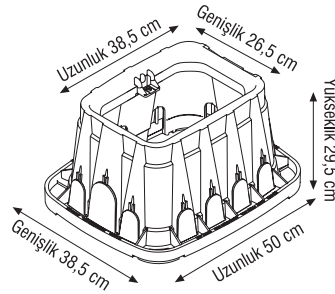


ÜRÜN KODU	EBAT	MARKA	KAPAK FİYAT(₺)	FİYAT (₺)
9944601016000	16"	Senkron 	Sorunuz	Sorunuz
9944601016300	16"	Green Box	Sorunuz	Sorunuz

14" JUMBO VANA KUTUSU

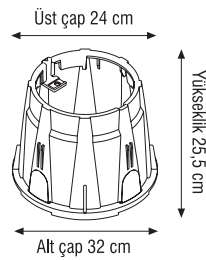


ÜRÜN KODU	EBAT	MARKA	KAPAK FİYAT(₺)	FİYAT (₺)
9944601014000	14"	Senkron 	Sorunuz	74,38
9944601014300	14"	Green Box	Sorunuz	64,68



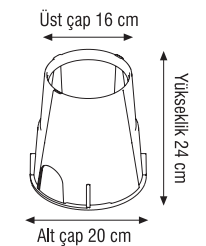
12" VANA KUTUSU

ÜRÜN KODU	EBAT	MARKA	KAPAK FİYAT(₺)	FİYAT (₺)
9944602012000	12"	Senkron 	Sorunuz	41,24
9944602012300	12"	Green Box	Sorunuz	37,20



10" VANA KUTUSU

ÜRÜN KODU	EBAT	MARKA	KAPAK FİYAT(₺)	FİYAT (₺)
9944603010000	10"	Senkron 	Sorunuz	21,88
9944603010300	10"	Green Box	Sorunuz	19,57



6" VANA KUTUSU

ÜRÜN KODU	EBAT	MARKA	KAPAK FİYAT(₺)	FİYAT (₺)
9944604006000	6"	Senkron 	Sorunuz	11,33
9944604006300	6"	Green Box	Sorunuz	9,70



SENKRON ORJİNAL DAMLAMA BORUSU

ÜRÜN KODU	EBAT	UZUNLUK (TOP)	FİYAT (₺) ADET
9944001160001	16 mm Düz Damlama Borusu (1 mm Et Kalınlığı)	400 mt	Sorunuz
9944001160002	16 mm Düz Damlama Borusu (1,2 mm Et Kalınlığı)	400 mt	,,
9944001162020	16 mm 20 cm aralıklı Delikli Damlama Borusu 2-4-8 L/h	400 mt	,,
9944001162025	16 mm 25 cm aralıklı Delikli Damlama Borusu 2-4-8 L/h	400 mt	,,
9944001162033	16 mm 33 cm aralıklı Delikli Damlama Borusu 2-4-8 L/h	400 mt	,,
9944001162040	16 mm 40 cm aralıklı Delikli Damlama Borusu 2-4-8 L/h	400 mt	,,
9944001162050	16 mm 50 cm aralıklı Delikli Damlama Borusu 2-4-8 L/h	400 mt	,,
9944002200000	20 mm Düz Damlama Borusu (1.2 mm)	300 mt	,,



SENKRON EKO DAMLAMA BORUSU

ÜRÜN KODU	EBAT	UZUNLUK (TOP)	FİYAT (₺) ADET
9944003160001	16 mm Düz Damlama Borusu (1 mm Et Kalınlığı)	400 mt	Sorunuz
9944003160002	16 mm Düz Damlama Borusu (1,2 mm Et Kalınlığı)	400 mt	,,
9944003162020	16 mm 20 cm aralıklı Delikli Damlama Borusu 2-4-8 L/h	400 mt	,,
9944003162025	16 mm 25 cm aralıklı Delikli Damlama Borusu 2-4-8 L/h	400 mt	,,
9944003162033	16 mm 33 cm aralıklı Delikli Damlama Borusu 2-4-8 L/h	400 mt	,,
9944003162040	16 mm 40 cm aralıklı Delikli Damlama Borusu 2-4-8 L/h	400 mt	,,
9944003162050	16 mm 50 cm aralıklı Delikli Damlama Borusu 2-4-8 L/h	400 mt	,,
9944003200000	20 mm Düz Damlama Borusu (1.2 mm)	300 mt	,,

DEBİ AYARLI DAMLATICI (KIRMIZI)

ÜRÜN KODU	ÇUVAL	POŞET	EBAT	FİYAT (₺)
9944101000000	7500	250	0-100 L/h	0,141

DEBİ AYARLI DAMLATICI (GENİŞ BOŞALTIM)

ÜRÜN KODU	ÇUVAL	POŞET	EBAT	FİYAT (₺)
9944102000000	4000	250	0-120 L/h	0,211

DEBİ AYARLI DAMLATICI (YEŞİL)

ÜRÜN KODU	ÇUVAL	POŞET	EBAT	FİYAT (₺)
9944101000001	5000	250	0-100 L/h	0,178

DAMLAMA CONTA KANALLI

ÜRÜN KODU	ÇUVAL	POŞET	EBAT	FİYAT (₺)
9944702016000	7500	250	16 mm	0,161
9944702020000	5000	250	20 mm	0,218

DÜZ DAMLAMA CONTA

ÜRÜN KODU	ÇUVAL	POŞET	EBAT	FİYAT (₺)
9944701016000	6000	250	16 mm	0,161
9900902000121	3500	250	20 mm	0,214

KANALLI TAPA CONTA

ÜRÜN KODU	ÇUVAL	POŞET	EBAT	FİYAT (₺)
9944704016000	6000	250	16 mm	0,169





MINİ VANA KURTAĞZI

ÜRÜN KODU	ÇUVAL	POŞET	EBAT (mm)	FİYAT (₺)
9944201016016	800	100	16x16	1,190
9944201020020	600	100	20x20	1,302
9944201025025	500	100	25x25	1,427

ÇIKIŞ MINİ VANA

ÜRÜN KODU	ÇUVAL	POŞET	EBAT (mm)	FİYAT (₺)
9944209016016	800	100	16x16	1,190
9944209020020	600	100	20x20	1,302

MINİ VANA REDÜKSİYON KURTAĞZI

ÜRÜN KODU	ÇUVAL	POŞET	EBAT (mm)	FİYAT (₺)
9944202020016	700	100	20x16	1,228
9944202025020	600	100	25x20	1,338

MINİ VANA YASSI ÇIKIŞ

ÜRÜN KODU	ÇUVAL	POŞET	EBAT (mm)	FİYAT (₺)
9944210016016	700	100	16x16	1,561
9944210016017	700	100	16x17	1,561

MINİ VANA YÜZÜKLÜ (YASSI) ERKEK DİŞLİ

ÜRÜN KODU	ÇUVAL	POŞET	EBAT (mm)	FİYAT (₺)
9944211017002	700	100	17x1/2"	1,561
9944211017003	700	100	17x3/4"	1,561

LAY FLAT MINİ VANA YÜZÜKLÜ (YASSI)

ÜRÜN KODU	ÇUVAL	POŞET	EBAT (mm)	FİYAT (₺)
9944212017000	500	100	17	2,327

MINİ VANA KİLİTLİ (ERKEK DİŞLİ)

ÜRÜN KODU	ÇUVAL	POŞET	EBAT (mm)	FİYAT (₺)
9944206016002	500	50	1/2"x16	1,749
9944206016003	500	50	3/4"x16	1,749
9944206020002	500	50	1/2"x20	1,821
9944206020003	500	50	3/4"x20	1,821
9944206025004	350	50	1"x25	1,931

MINİ VANA KİLİTLİ

ÜRÜN KODU	ÇUVAL	POŞET	EBAT (mm)	FİYAT (₺)
9944207016016	300	50	16x16	2,045
9944207016020	300	50	16x20	2,103
9944207020020	300	50	20x20	2,195
9944207025025	250	25	25x25	2,349

MINİ VANA YÜZÜKLÜ (YASSI)

ÜRÜN KODU	ÇUVAL	POŞET	EBAT (mm)	FİYAT (₺)
9944208016017	700	100	16x17	1,561



MİNİ VANA (ERKEK DİŞLİ)

ÜRÜN KODU	ÇUVAL	POŞET	EBAT	FİYAT (₺)
9944205003002	600	50	3/4"x1/2"	1,302
9944205003003	600	50	3/4"x3/4"	1,302
9944205004004	500	50	1"x1"	1,427

MİNİ VANA KURTAĞZI (ERKEK DİŞLİ)

ÜRÜN KODU	ÇUVAL	POŞET	EBAT (mm)	FİYAT (₺)
9944203016002	800	100	1/2"x16	1,190
9944203016003	700	100	3/4"x16	1,190
9944203020002	700	100	1/2"x20	1,302
9944203020003	600	100	3/4"x20	1,302
9944203025003	500	50	3/4"x25	1,427

MİNİ VANA KURTAĞZI - KİLİTLİ

ÜRÜN KODU	ÇUVAL	POŞET	EBAT (mm)	FİYAT (₺)
9944204016016	500	50	16x16	1,749
9944204016020	500	50	16x20	1,749
9944204016025	350	25	16x25	1,821
9944204020016	500	50	20x16	1,749
9944204020020	500	50	20x20	1,821
9944204020025	350	25	20x25	1,821

DAMLAMA NİPELİ

ÜRÜN KODU	ÇUVAL	POŞET	EBAT (mm)	FİYAT (₺)
9944501016016	4000	100	16x16	0,064
9944501020020	2500	100	20x20	0,091
9944501025025	1500	100	25x25	0,239

DAMLAMA TE

ÜRÜN KODU	ÇUVAL	POŞET	EBAT (mm)	FİYAT (₺)
9944503016016	2500	100	16x16x16	0,258
9944503020020	1200	100	20x20x20	0,329
9944503025025	600	100	25x25x25	0,459

DAMLAMA DİRSEK

ÜRÜN KODU	ÇUVAL	POŞET	EBAT (mm)	FİYAT (₺)
9900902000054	3000	100	16x16	0,245
9900902000129	2000	100	20x20	0,329

KURTAĞZI KÖR TAPA

ÜRÜN KODU	ÇUVAL	POŞET	EBAT (mm)	FİYAT (₺)
9944528016000	4000	100	16 mm	0,064
9944528020000	3000	100	20 mm	0,091

GÖZLÜK KÖR TAPA

ÜRÜN KODU	ÇUVAL	POŞET	EBAT (mm)	FİYAT (₺)
9944522016000	4000	100	16 mm	0,063
9944522020000	2500	100	20 mm	0,095
9944522025000	1500	100	25 mm	0,281
9944522032000	1000	100	32 mm	0,560



DAMLAMA REDÜKSİYON NİPELİ

ÜRÜN KODU	ÇUVAL	POŞET	EBAT (mm)	FİYAT (₺)
9944502016020	3000	100	16x20	0,202
Y.Ü. 9944502020025	1700	100	20x25	0,479



DAMLAMA ERKEK TE

ÜRÜN KODU	ÇUVAL	POŞET	EBAT (mm)	FİYAT (₺)
9944530016002	1500	100	16x1/2"x16	0,462
9944530016003	1400	100	16x3/4"x16	0,462
Y.Ü. 9944530020002	1200	100	20x1/2"x20	0,599
Y.Ü. 9944530020003	1200	100	20x3/4"x20	0,599
9944530025002	700	100	25x1/2"x25	0,735
9944530025003	700	100	25x3/4"x25	0,735



DAMLAMA REDÜKSİYON TE

ÜRÜN KODU	ÇUVAL	POŞET	EBAT (mm)	FİYAT (₺)
9944529020016	1000	100	20x16x20	0,462
9944529025016	800	100	25x16x25	0,804
9944529025020	800	100	25x20x25	0,804



DAMLAMA ÇIKIŞ NİPELİ

ÜRÜN KODU	ÇUVAL	POŞET	EBAT (mm)	FİYAT (₺)
9900902000082	4000	100	16x16	0,085
9900902000083	2500	100	20x20	0,129



PİPO DİRSEK

ÜRÜN KODU	ÇUVAL	POŞET	EBAT (mm)	FİYAT (₺)
9944504016002	2500	100	16x1/2"	0,459
9944504016003	2000	100	16x3/4"	0,459
9944504020002	1500	100	20x1/2"	0,459
9944504020003	1500	100	20x3/4"	0,459



EKSTRA NİPEL

ÜRÜN KODU	ÇUVAL	POŞET	EBAT (mm)	FİYAT (₺)
9944506016016	4000	100	16x16	0,231
9944506020020	2500	100	20x20	0,308



VAYONET TE EKSTRA

ÜRÜN KODU	ÇUVAL	POŞET	EBAT (mm)	FİYAT (₺)
9944511016007	4000	100	7x16x7	0,487
9944511016012	4000	100	12x16x12	0,487



ERKEK ADAPTÖR (NOZUL)

ÜRÜN KODU	ÇUVAL	POŞET	EBAT (mm)	FİYAT (₺)
9944512007000	20000	500	Ø 7	0,106



MANŞON NİPEL

ÜRÜN KODU	ÇUVAL	POŞET	EBAT (mm)	FİYAT (₺)
9944513007000	15000	500	Ø 7	0,106



START ÇIKIŞ PARÇASI

ÜRÜN KODU	ÇUVAL	POŞET	EBAT (mm)	FİYAT (₺)
9944514007000	15000	500	Ø 7	0,106

MİNİ SPRİNG KAZIĞI

ÜRÜN KODU	ÇUVAL	EBAT (mm)	FİYAT (₺)
9944515006008	300	Ø 6-Ø 8	0,529

MİNİ SPRİNG KAZIĞI (YANDAN MAÇALI)

ÜRÜN KODU	ÇUVAL	EBAT (mm)	FİYAT (₺)
9944516006008	200	Ø 6-Ø 8	0,679

SAKSI SULAMA KAZIĞI

ÜRÜN KODU	ÇUVAL	POŞET	EBAT (mm)	FİYAT (₺)
9900902000625	5000	500	5-7 mm	0,193

KURTAĞZI ERKEK DİŞLİ

ÜRÜN KODU	ÇUVAL	POŞET	EBAT (mm)	FİYAT (₺)
9900902000031	2500	100	16x1/2"	0,277
9900902000532	2000	100	16x3/4"	0,277

DAMLAMA ÇIKIŞ NİPELİ (SIKIŞTIRMALI)

ÜRÜN KODU	ÇUVAL	POŞET	EBAT (mm)	FİYAT (₺)
9944505012000	2000	100	12 mm	0,281
9944505016000	2000	100	16 mm	0,281

DAMLAMA ÇIKIŞ NİPELİ (CONTALI)

ÜRÜN KODU	ÇUVAL	POŞET	EBAT (mm)	FİYAT (₺)
9944507016000	3000	100	16 mm	0,749

GÜVENLİ TAPE ÇIKIŞ NİPELİ

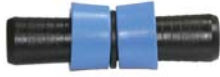
ÜRÜN KODU	ÇUVAL	POŞET	EBAT (mm)	FİYAT (₺)
9944505016017	1500	100	16x17	0,447
9900902000233	-	-	20x22	0,826

TAPE MANŞON

ÜRÜN KODU	ÇUVAL	POŞET	EBAT (mm)	FİYAT (₺)
9944509017017	1200	100	17x17	0,518
9900902000234	-	-	22x22	0,924

SPAGETTI BORU

ÜRÜN KODU	EBAT	UZUNLUK (TOP)	FİYAT (₺) METRE
9900902000622	5 mm	300 mt	0,616
9900902000513	7 mm	200 mt	0,924



YÜZÜKLÜ EKLEME NİPELİ

ÜRÜN KODU	ÇUVAL	POŞET	EBAT (mm)	FİYAT (₺)
9944520016016	2000	100	16x16	0,249
9944520017017	2000	100	17x17	0,249

YASSI BORU ÇIKIŞ ADAPTÖRÜ

ÜRÜN KODU	ÇUVAL	POŞET	EBAT (mm)	FİYAT (₺)
9944521016016	2500	100	16x16	0,294
9944521016017	2500	100	16x17	0,294

PE DELME APARATI

ÜRÜN KODU	EBAT (mm)	FİYAT (₺)
9900902000119	16 mm	7,727
9900902000124	20 mm	7,727

PE DELME APARATI (3 mm)

ÜRÜN KODU	EBAT (mm)	FİYAT (₺)
9900902000122	3 mm	7,727

CONTALI KARIK SULAMA VANASI

ÜRÜN KODU	EBAT (mm)	FİYAT (₺)
9900902000168	Ø 32	2,002

BORU SABİTLEME KAZIĞI (UZUN)

ÜRÜN KODU	ÇUVAL	EBAT (mm)	FİYAT (₺)
9944510016000	200	16-20	0,405

BORU SABİTLEME KAZIĞI (KISA)

ÜRÜN KODU	ÇUVAL	EBAT (mm)	FİYAT (₺)
9944523016000	700	16-20	0,276

PLASTİK KELEPÇE

ÜRÜN KODU	ÇUVAL	POŞET	EBAT (mm)	FİYAT (₺)
9944524016000	15000	250	16 mm	0,123
9944524020000	8000	250	20 mm	0,123

BORU ASMA ÇENGELİ

ÜRÜN KODU	ÇUVAL	POŞET	EBAT (mm)	FİYAT (₺)
9900902000570	6000	250	16 mm	0,123
9944525020000	3000	250	20 mm	0,123

LAY FLAT BORU ÇIKIŞ PARÇASI

ÜRÜN KODU	ÇUVAL	POŞET	EBAT (mm)	FİYAT (₺)
9900902000527	2000	100	1/2"	0,725

KAPLİN YEDEK PARÇALARI

KAPLİN SIKMA ANAHTARI



ÜRÜN KODU	ÇUVAL	EBAT (mm)	FİYAT (₺)
Y.Ü. 9944532040075	70	40-75	14,630
Y.Ü. 9944532090110	50	90-110	21,130

PAH AÇMA APARATI



ÜRÜN KODU	ADET	EBAT (mm)	FİYAT (₺)
9944531016063	1	20-63	33,91
9944531075110	1	75-110	47,46

PRİZ KOLYE O-RİNG / KLİPS

O-RİNG



ÜRÜN KODU	EBAT (mm)	FİYAT (₺)
9900202032000	25-32	0,636
9900202050000	40-50	0,846
9900202063000	63-75-90-110-125	1,267
9900202110000	50-63-75-90-110-125	3,171
9900202160000	140-160	4,228
9900202200000	200-225	4,439

28

▪ 1 1/4", 1 1/2", 2" ölçüleri için geçerlidir

KLİPS



ÜRÜN KODU	KOLİ AD.	EBAT (mm)	FİYAT (₺)
9950903000023	10000	23	Sorunuz
9950903000025	9000	25	„

ABOT ÜSTÜ DAĞITICI

ABOT ÜSTÜ KAPLİN DAĞITICI



ÜRÜN KODU	Ç. ADEDİ	PALET	EBAT (mm)	FİYAT (₺)
9911020020004	50	50 Çuval	20x1"x1"x20	4,126
9911020025004	40	50 Çuval	25x1"x1"x25	4,677

ABOT ÜSTÜ KİLİTLİ DAĞITICI



ÜRÜN KODU	Ç. ADEDİ	POŞET	EBAT (mm)	FİYAT (₺)
9944315016004	100	20	16x1"x1"x16	3,944
9944315020004	100	20	20x1"x1"x20	4,035

KAPLİN YEDEK PARÇALARI

RİNG



ÜRÜN KODU	EBAT (mm)	FİYAT (₺)
9900203020000	20	0,328
9900203025000	25	0,494
9900203032000	32	0,549
9900203040000	40	1,057
9900203050000	50	1,691
9900203063000	63	1,966
9900203075000	75	2,726
9900203090000	90	3,171
9900203110000	110	4,374

O-RİNG



ÜRÜN KODU	EBAT (mm)	FİYAT (₺)
9900201020000	20	0,190
9900201025000	25	0,385
9900201032000	32	0,421
9900201040000	40	0,769
9900201050000	50	1,373
9900201063000	63	1,585
9900201075000	75	1,924
9900201090000	90	2,695
9900201100000	110	3,655

İÇ KAPAK



ÜRÜN KODU	EBAT (mm)	FİYAT (₺)
9900204020000	20	0,259
9900204025000	25	0,441
9900204032000	32	0,487
9900204040000	40	0,913
9900204050000	50	1,534
9900204063000	63	1,775
9900204075000	75	2,325
9900204090000	90	2,932
9900204100000	110	4,017



TS EN ISO 9001:2015

